



CONSANI

PORTABLE PHLEBOTOMY LOUNGER



An innovative fully functional portable lounger, ideally suited to the blood transfusion services.

At a mere 12.5 kg (27.5lbs) it is lightweight, yet with a safe load capacity of 150kg (331lbs) is very robust. It is ergonomically designed for ease of use by staff without forfeiting the comfort of donors. Its renowned stability promotes the sense of security for the donor and combined with its versatility can be easily adjusted through 4 tilting positions including the Trendelenberg position.

Safety features include the positive locking system on all 4 tilting positions, the front support leg and the safety strap make this lounger safe to use without restricting its functionality. Its versatility is paramount in its many adjustments, from arm rest height and angle to the adjustable head cushion and seat tilting positions. Padded head, arm, seat and ankle cushions ensure maximum comfort without compromising portability. This is evident in its small folded volume which allows for ease of packing and handling and quick to setup.

Designed by mechanical engineers for portability, versatility, functionality, safety & comfort.



CONSANI

PORTABLE
PHLEBOTOMY LOUNGER
TECHNICAL DATA



FEATURES:

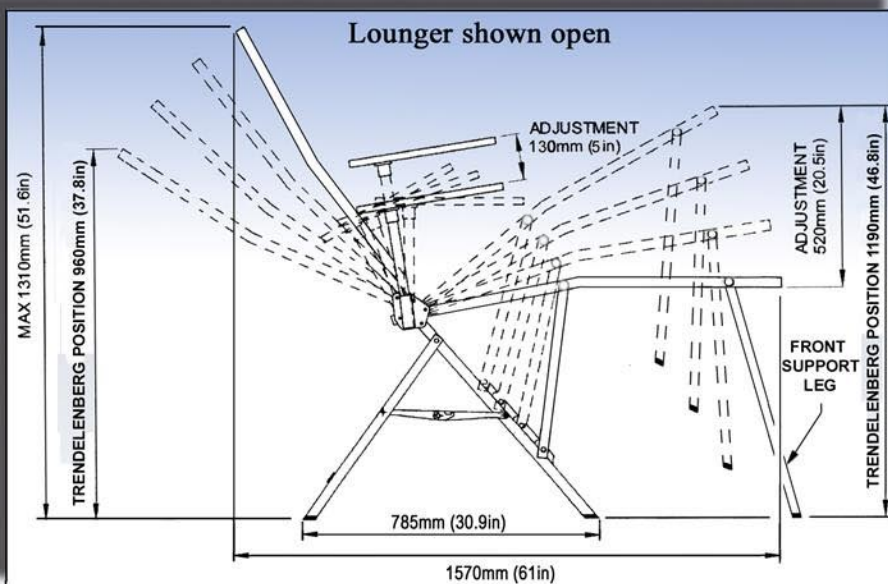
- 4 position lounger with positive lock in all positions.
- Height adjustable arm swivel rest interchangeable for either side.
- Removable and washable covers.
- Arm rest swings out for ease of access and reclines with lounger.
- Front support leg for stability.
- Height adjustable padded headrest.
- Compact lightweight design for ease of use.
- Robust aluminium frame.
- Padded ankle and seat cushions.
- Stock colour is navy.
- Each lounger has a unique serial number.
- Manual & parts list supplied with lounger & parts are ex-stock.

OPTIONAL EXTRAS:

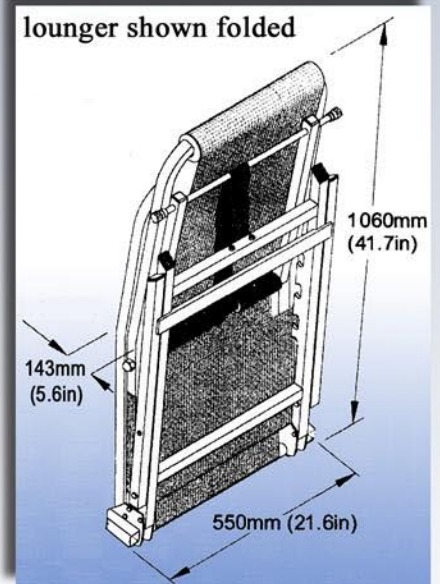
Please contact us for a list of the available accessories.

SHIPPING DETAILS:

- Each lounger is individually boxed.
- Supplied standard with 1 arm rest.
- boxed dim's 108x57x14cm (42x22x 6in)
- boxed weight 14kgs (31lbs) approx.



Loading limitation: 150 kg (331 lbs) max.



Weight of lounger as shown: 12.5 kg (27.5 lbs)



DESIGNED & MANUFACTURED BY:
R J CONSANI (PTY) LTD
South Africa
info@consani.co.za
www.consani.co.za



SUPPLIED BY: LabCare CC
P O Box 2448, North Riding, 2162
South Africa
Cell: +27 79 896 6294
Tel: +27 11 795 1577
email: walterw@3i.co.za
www.labcarecc.co.za